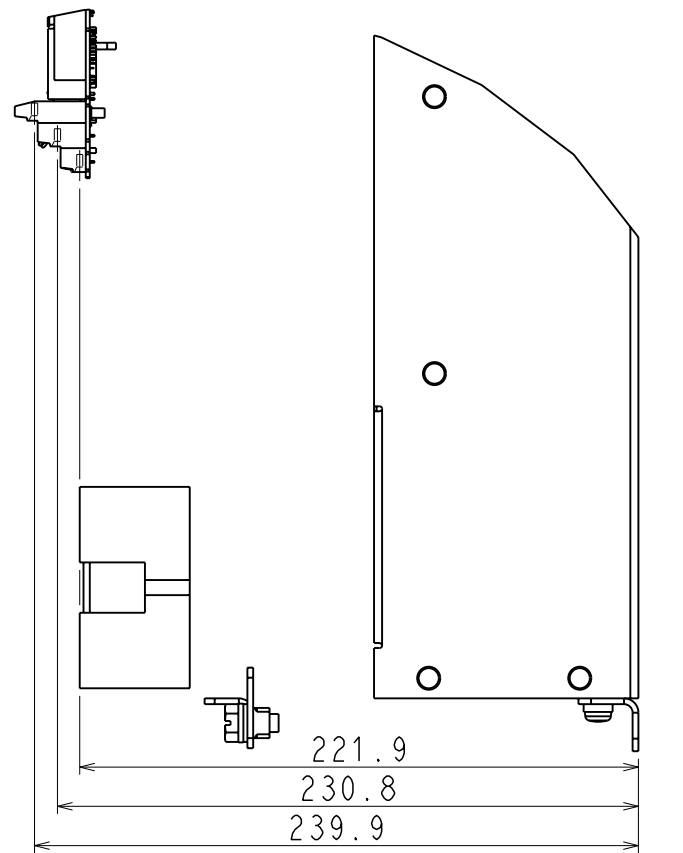
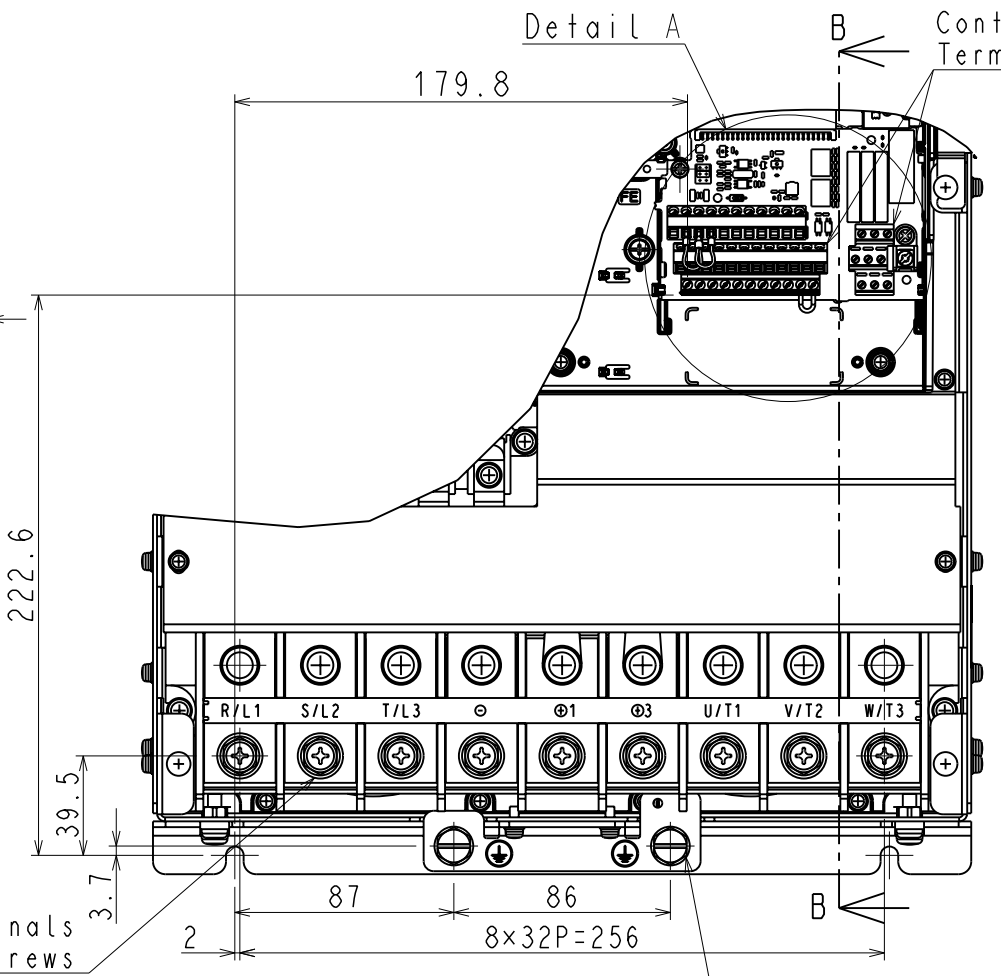
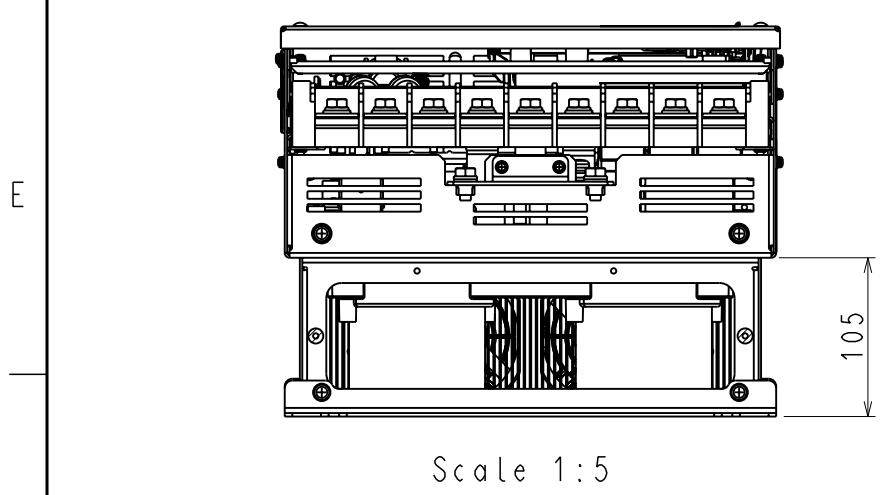
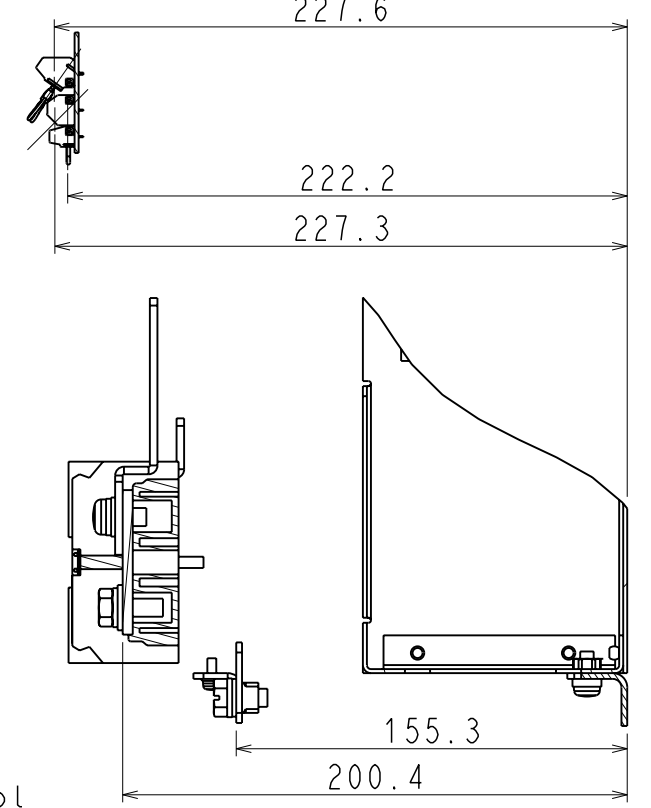
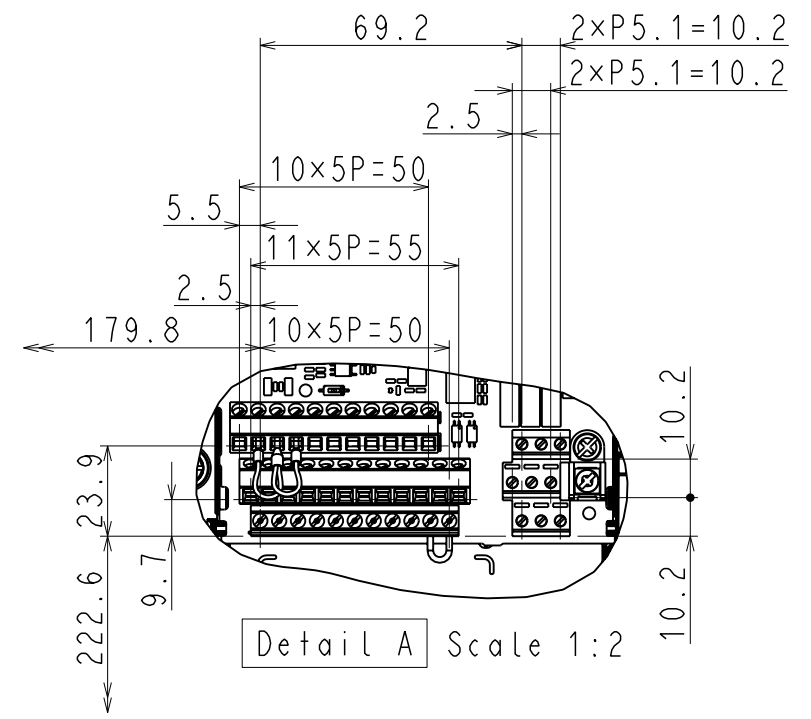
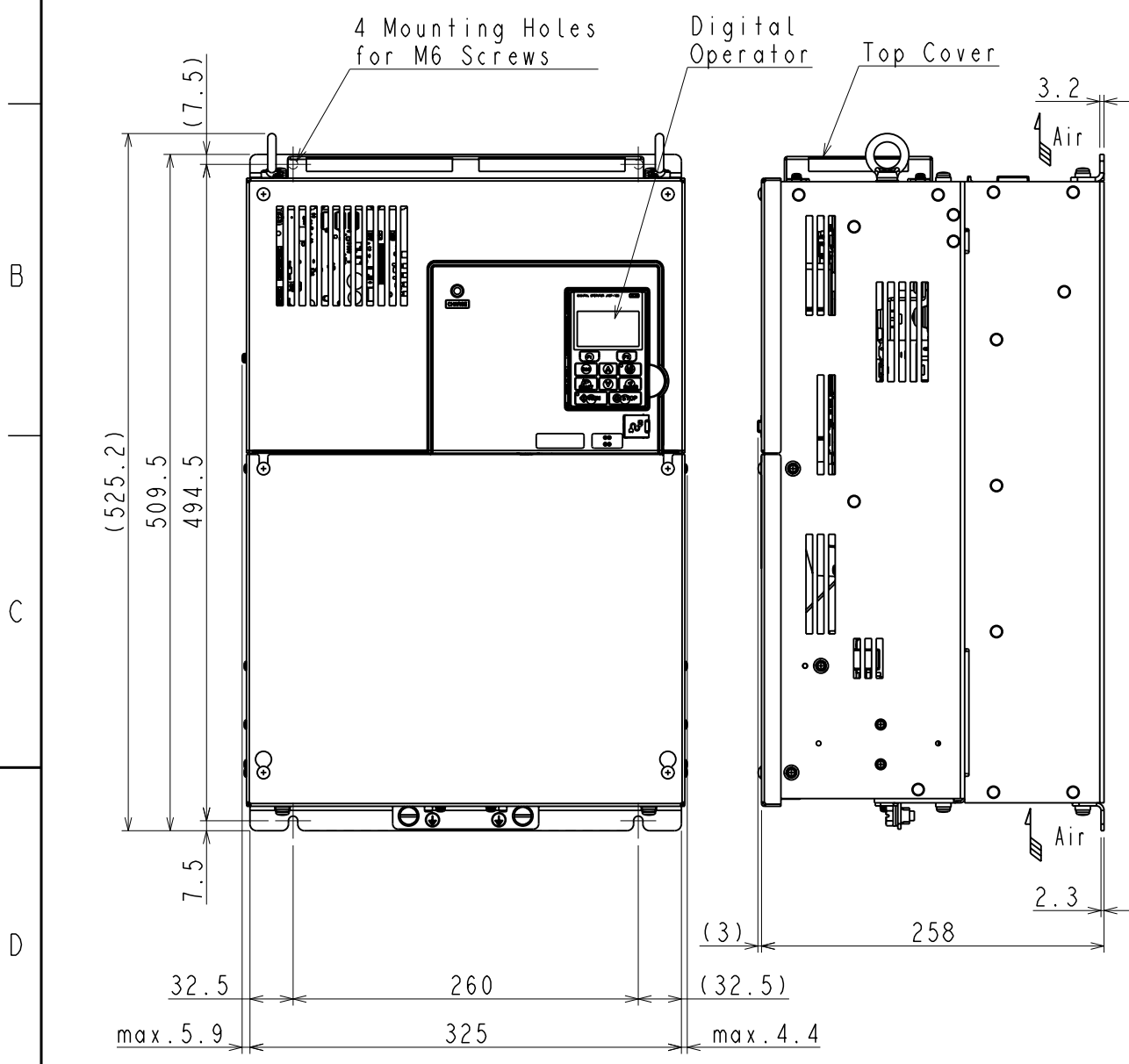


DWG. NO. EZZ902068-1/1

Model No.	Max Appli. Motor (kW)		Terminal Symbol			Cooling Fan	Mass (kg)			
	Normal Duty	Heavy Duty	INPUT OUTPUT (MOTOR)							
CIMR-LU4□0075D	-	37	R/L1	S/L2	T/L3	U/T1	V/T2	W/T3	2	36
CIMR-LU4□0091D	-	45	R/L1	S/L2	T/L3	U/T1	V/T2	W/T3	2	36

Third Angle Projection  
Dimensions in mm



REVISIONS	SCALE - : -		DRAW. Nov.12.2013 N.takeyama CHECK M.Kojyo APPR. M.Kojyo	TITLE L1000A OPEN CHASSIS TYPE DIMENSION DIAGRAM	DWG. NO. EZZ902068 1/1	REV. 1 1